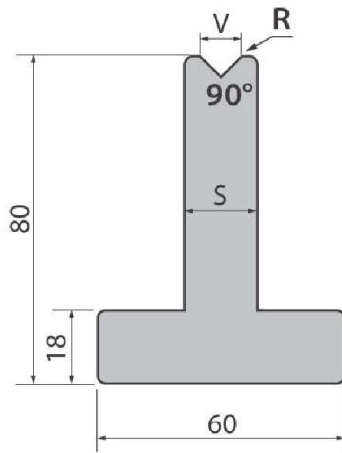


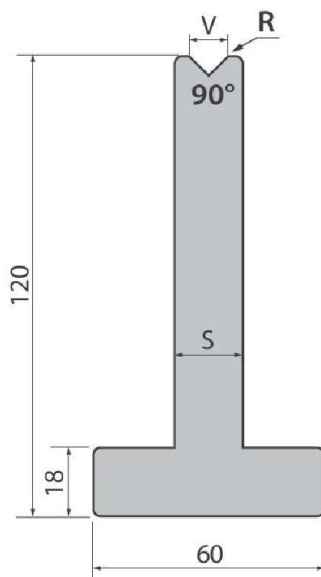
T-образные матрицы 90°

H=80 mm



Model	V (mm)	R (mm)	S (mm)	1000 kN/m max.	
				Weight	Weight
SR.TD80.90.06	6	0.4	14	13.0 kg	6.6 kg
SR.TD80.90.08	8	0.5	14	13.0 kg	6.6 kg
SR.TD80.90.10	10	0.6	18	14.2 kg	7.0 kg
SR.TD80.90.12	12	0.8	18	15.0 kg	7.6 kg

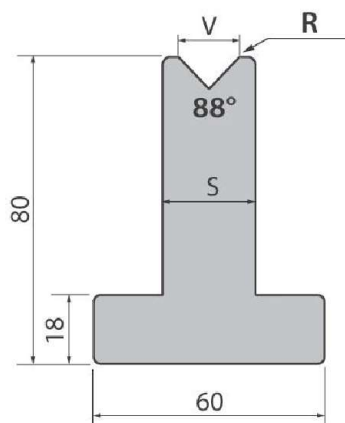
H=120 mm



Model	V (mm)	R (mm)	S (mm)	1000 kN/m max.	
				Weight	Weight
SR.TD120.90.06	6	0.4	14	16.4 kg	8.2 kg
SR.TD120.90.08	8	0.5	14	16.4 kg	8.2 kg
SR.TD120.90.10	10	0.6	18	19.2 kg	9.5 kg
SR.TD120.90.12	12	0.8	18	19.2 kg	9.5 kg

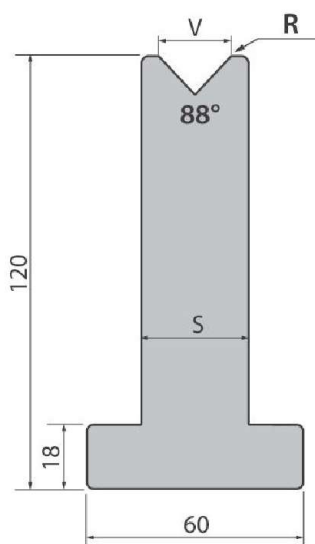
T-образные матрицы 88°

H=80 mm



Model	V (mm)	R (mm)	S (mm)	1000 kN/m max.	
				Weight	Weight
SR.TD80.88.06	6	0.4	14	13.2 kg	6.5 kg
SR.TD80.88.06S	6	2.75	14	13.2 kg	6.5 kg
SR.TD80.88.08	8	0.5	14	12.4 kg	6.2 kg
SR.TD80.88.08S	8	2.75	14	13.2 kg	6.5 kg
SR.TD80.88.10	10	0.8	18	14.0 kg	7.0 kg
SR.TD80.88.10S	10	2.75	18	15.2 kg	7.6 kg
SR.TD80.88.12	12	2.75	18	14.2 kg	7.1 kg
SR.TD80.88.16	16	2.75	24	16.4 kg	8.2 kg
SR.TD80.88.20	20	3.0	30	18.6 kg	9.3 kg
SR.TD80.88.25	25	3.0	35	20.6 kg	10.2 kg

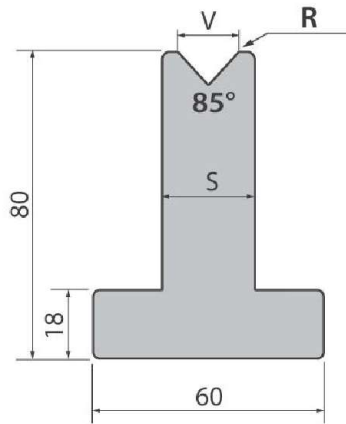
H=120 mm



Model	V (mm)	R (mm)	S (mm)	1000 kN/m max.	
				Weight	Weight
SR.TD120.88.06	6	0.4	14	16.2 kg	8.1 kg
SR.TD120.88.06S	6	2.75	14	16.2 kg	8.1 kg
SR.TD120.88.08	8	0.5	14	16.2 kg	8.1 kg
SR.TD120.88.08S	8	2.75	14	16.2 kg	8.1 kg
SR.TD120.88.10	10	0.8	18	19.4 kg	9.6 kg
SR.TD120.88.10S	10	2.75	18	18.0 kg	9.0 kg
SR.TD120.88.12	12	2.75	18	19.0 kg	9.0 kg
SR.TD120.88.16	16	2.75	24	22.4 kg	11.0 kg
SR.TD120.88.20	20	3.0	30	27.4 kg	13.5 kg
SR.TD120.88.25	25	3.0	35	30.5 kg	15.0 kg

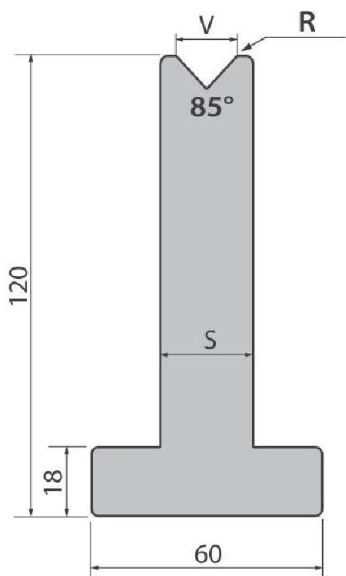
T-образные матрицы 85°

H=80 mm



Model	V (mm)	R (mm)	S (mm)	1000 kN/m max.	
				Weight	Weight
SR.TD80.85.06	6	2.75	14	13.0 kg	6.5 kg
SR.TD80.85.08	8	2.75	14	12.4 kg	6.2 kg
SR.TD80.85.10	10	2.75	18	14.4 kg	7.2 kg
SR.TD80.85.12	12	2.75	18	14.4 kg	7.2 kg
SR.TD80.85.16	16	2.75	24	16.6 kg	8.3 kg
SR.TD80.85.20	20	3.0	30	19.0 kg	9.5 kg
SR.TD80.85.25	25	3.0	35	20.0 kg	10.0 kg

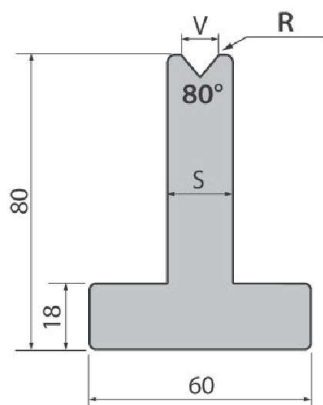
H=120 mm



Model	V (mm)	R (mm)	S (mm)	1000 kN/m max.	
				Weight	Weight
SR.TD120.85.06	6	2.75	14	16.2 kg	8.0 kg
SR.TD120.85.08	8	2.75	14	16.2 kg	8.0 kg
SR.TD120.85.10	10	2.75	18	19.0 kg	9.5 kg
SR.TD120.85.12	12	2.75	18	19.0 kg	9.5 kg
SR.TD120.85.16	16	2.75	24	22.8 kg	11.4 kg
SR.TD120.85.20	20	3.0	30	26.5 kg	13.2 kg
SR.TD120.85.25	25	3.0	35	30.0 kg	15.0 kg

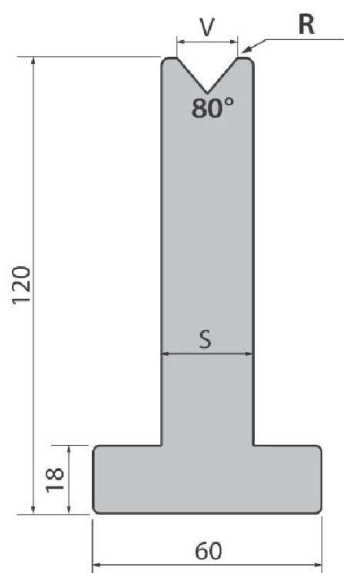
T-образные матрицы 80°

H=80 mm



Model	V (mm)	R (mm)	S (mm)	950 kN/m max.	
				Weight	Weight
SR.TD80.80.06	6	2.75	14	13.2 kg	6.5 kg
SR.TD80.80.08	8	2.75	14	13.2 kg	6.5 kg
SR.TD80.80.10	10	2.75	18	13.2 kg	6.5 kg
SR.TD80.80.12	12	2.75	18	13.2 kg	6.5 kg
SR.TD80.80.16	16	2.75	24	13.2 kg	6.5 kg
SR.TD80.80.20	20	3.0	30	17.2 kg	8.5 kg
SR.TD80.80.25	25	3.0	35	20.4 kg	10.0 kg

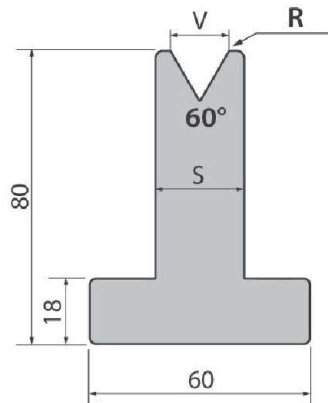
H=120 mm



Model	V (mm)	R (mm)	S (mm)	950 kN/m max.	
				Weight	Weight
SR.TD120.85.06	6	2.75	14	18.0 kg	9.0 kg
SR.TD120.85.08	8	2.75	14	18.0 kg	9.0 kg
SR.TD120.85.10	10	2.75	18	18.0 kg	9.0 kg
SR.TD120.85.12	12	2.75	18	18.0 kg	9.0 kg
SR.TD120.85.16	16	2.75	24	18.0 kg	9.0 kg
SR.TD120.85.20	20	3.0	30	26.4 kg	13.2 kg
SR.TD120.85.25	25	3.0	35	30.0 kg	15.0 kg

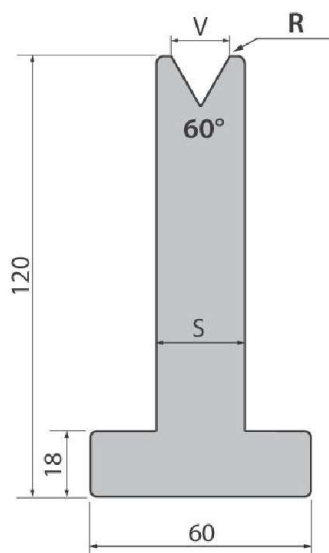
T-образные матрицы 60°

H=80 mm



Model	V (mm)	R (mm)	S (mm)	600 kN/m max.	
				Weight	Weight
SR.TD80.60.06	6	0.5	14	13.2 kg	6.6 kg
SR.TD80.60.06S	6	1.5	14	13.2 kg	6.6 kg
SR.TD80.60.08	8	0.8	14	13.2 kg	6.6 kg
SR.TD80.60.08S	8	1.5	14	13.2 kg	6.6 kg
SR.TD80.60.10	10	0.8	18	14.6 kg	7.3 kg
SR.TD80.60.10S	10	2.75	18	15.0 kg	7.5 kg
SR.TD80.60.12	12	0.8	18	14.0 kg	7.0 kg
SR.TD80.60.12S	12	2.75	18	15.0 kg	7.5 kg
SR.TD80.60.16	16	2.75	24	15.6 kg	8.7 kg
SR.TD80.60.20	20	3.0	30	18.0 kg	9.5 kg
SR.TD80.60.25	25	3.0	35	19.5 kg	10.0 kg

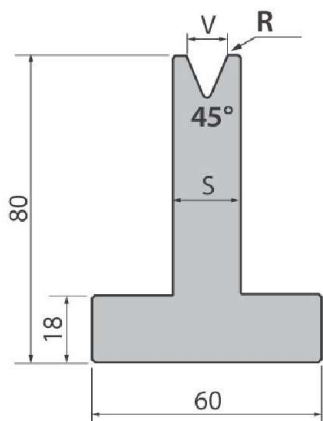
H=120 mm



Model	V (mm)	R (mm)	S (mm)	600 kN/m max.	
				Weight	Weight
SR.TD120.60.06	6	0.5	14	16.2 kg	8.1 kg
SR.TD120.60.06S	6	1.5	14	16.2 kg	8.1 kg
SR.TD120.60.08	8	0.8	14	16.2 kg	8.1 kg
SR.TD120.60.08S	8	1.5	14	16.2 kg	8.1 kg
SR.TD120.60.10	10	0.8	18	18.6 kg	9.3 kg
SR.TD120.60.10S	10	2.75	18	18.0 kg	9.0 kg
SR.TD120.60.12	12	0.8	18	18.0 kg	9.0 kg
SR.TD120.60.12S	12	2.75	18	18.0 kg	9.0 kg
SR.TD120.60.16	16	2.75	24	22.6 kg	11.3 kg
SR.TD120.60.20	20	3.0	30	26.0 kg	13.0 kg
SR.TD120.60.25	25	3.0	35	29.0 kg	14.8 kg

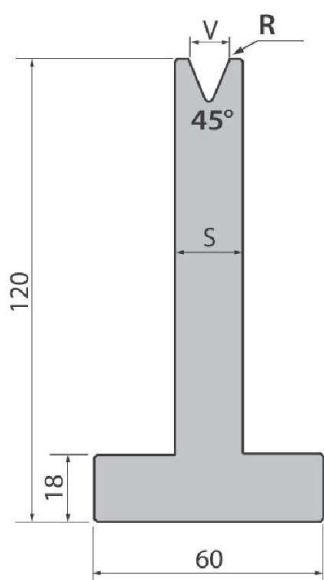
T-образные матрицы 45°

H=80 mm



Model	V (mm)	R (mm)	S (mm)	500 kN/m max.	
				Weight	Weight
SR.TD80.45.06	6	0.8	14	13.0 kg	6.5 kg
SR.TD80.45.08	8	1.0	18	15.0 kg	7.5 kg
SR.TD80.45.10	10	1.2	18	14.0 kg	7.0 kg
SR.TD80.45.12	12	1.6	24	16.4 kg	8.2 kg
SR.TD80.45.16	16	2.75	26	16.6 kg	8.3 kg
SR.TD80.45.20	20	3.0	30	18.2 kg	9.1 kg
SR.TD80.45.25	25	3.0	37	20.0 kg	10.0 kg

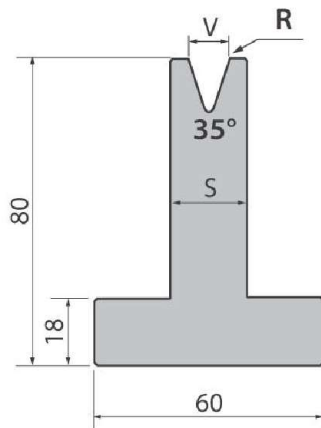
H=120 mm



Model	V (mm)	R (mm)	S (mm)	500 kN/m max.	
				Weight	Weight
SR.TD120.45.06	6	0.8	14	16.0 kg	8.0 kg
SR.TD120.45.08	8	1.0	18	18.0 kg	9.0 kg
SR.TD120.45.10	10	1.2	18	18.0 kg	9.0 kg
SR.TD120.45.12	12	1.6	24	23.0 kg	11.5 kg
SR.TD120.45.16	16	2.75	26	25.0 kg	12.5 kg
SR.TD120.45.20	20	3.0	30	26.0 kg	13.0 kg
SR.TD120.45.25	25	3.0	37	30.0 kg	15.0 kg

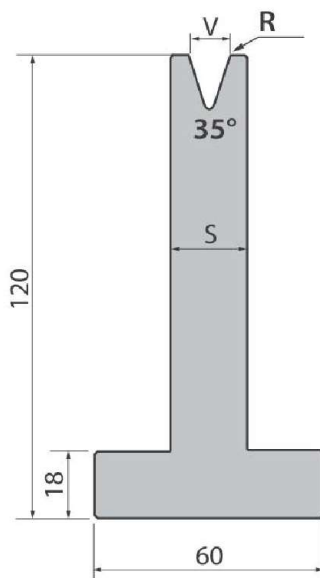
T-образные матрицы 35°

H=80 mm



Model	V (mm)	R (mm)	S (mm)	400 kN/m max.	
				Weight	Weight
SR.TD80.35.06	6	0.8	14	12.8 kg	6.4 kg
SR.TD80.35.08	8	1.0	16	13.0 kg	6.5 kg
SR.TD80.35.10	10	1.2	20	15.0 kg	7.5 kg
SR.TD80.35.12	12	1.6	22	15.6 kg	7.8 kg
SR.TD80.35.16	16	3.0	30	18.0 kg	8.4 kg
SR.TD80.35.20	20	3.0	35	19.4 kg	9.2 kg
SR.TD80.35.25	25	3.0	40	20.0 kg	10.0 kg

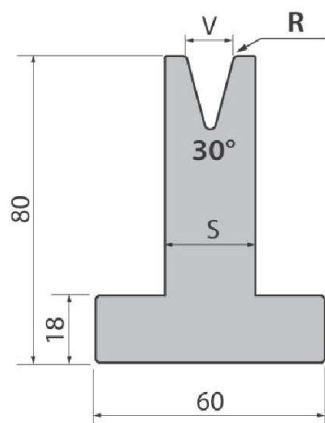
H=120 mm



Model	V (mm)	R (mm)	S (mm)	400 kN/m max.	
				Weight	Weight
SR.TD120.35.06	6	0.8	14	16.0 kg	8.0 kg
SR.TD120.35.08	8	1.0	16	18.0 kg	9.0 kg
SR.TD120.35.10	10	1.2	20	20.0 kg	10.0 kg
SR.TD120.35.12	12	1.6	22	20.8 kg	10.4 kg
SR.TD120.35.16	16	3.0	30	26.0 kg	13.0 kg
SR.TD120.35.20	20	3.0	35	28.0 kg	14.0 kg
SR.TD120.35.25	25	3.0	40	30.6 kg	15.3 kg

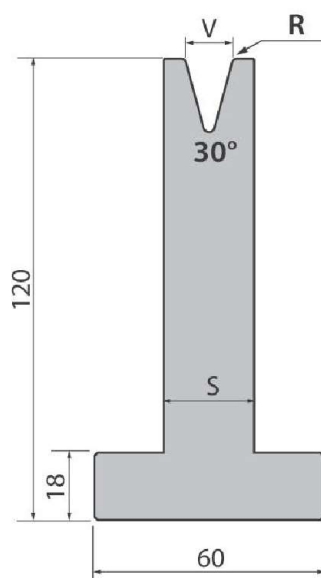
T-образные матрицы 30°

H=80 mm



Model	V (mm)	R (mm)	S (mm)	400 kN/m max.	
				Weight	Weight
SR.TD80.30.06	6	0.6	14	12.6 kg	6.3 kg
SR.TD80.30.08	8	0.8	18	13.0 kg	6.5 kg
SR.TD80.30.10	10	1.0	24	16.2 kg	8.0 kg
SR.TD80.30.12	12	1.5	24	16.2 kg	8.0 kg
SR.TD80.30.16	16	2.0	30	18.0 kg	9.0 kg
SR.TD80.30.20	20	2.5	35	19.0 kg	9.5 kg
SR.TD80.30.25	25	3.0	40	20.4 kg	10.0 kg

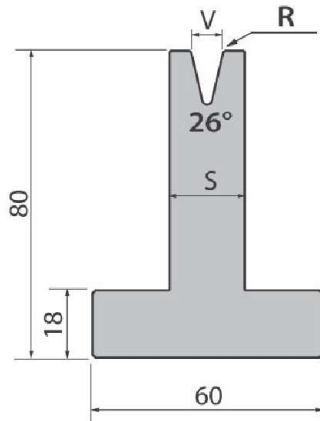
H=120 mm



Model	V (mm)	R (mm)	S (mm)	400 kN/m max.	
				Weight	Weight
SR.TD120.30.06	6	0.6	14	16.2 kg	8.0 kg
SR.TD120.30.08	8	0.8	18	19.2 kg	9.5 kg
SR.TD120.30.10	10	1.0	18	22.0 kg	11.0 kg
SR.TD120.30.12	12	1.5	24	22.0 kg	11.0 kg
SR.TD120.30.16	16	2.0	26	26.0 kg	13.0 kg
SR.TD120.30.20	20	2.5	30	28.0 kg	14.0 kg
SR.TD120.30.25	25	3.0	37	30.6 kg	15.3 kg

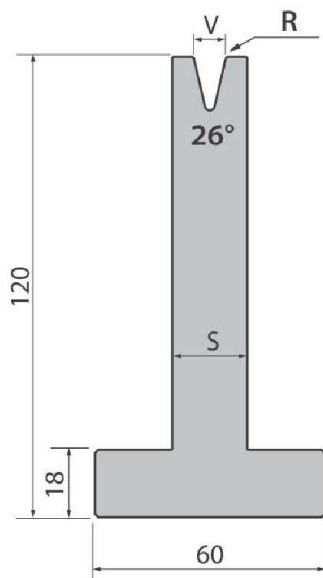
T-образные матрицы 26°

H=80 mm



200 kN/m max.					
Model	V (mm)	R (mm)	S (mm)	Weight	Weight
SR.TD80.26.06	6	0.8	16	14.2 kg	7.1 kg
SR.TD80.26.08	8	1.0	20	15.0 kg	7.5 kg
SR.TD80.26.10	10	1.2	24	15.4 kg	7.6 kg
SR.TD80.26.12	12	1.6	26	16.4 kg	7.8 kg

H=120 mm



200 kN/m max.					
Model	V (mm)	R (mm)	S (mm)	Weight	Weight
SR.TD120.26.06	6	0.8	16	18.4 kg	9.2 kg
SR.TD120.26.08	8	1.0	20	19.6 kg	9.8 kg
SR.TD120.26.10	10	1.2	24	22.0 kg	11.0 kg
SR.TD120.26.12	12	1.6	26	22.0 kg	11.0 kg