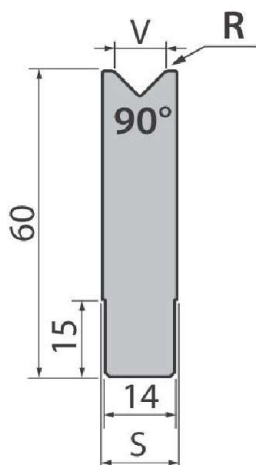


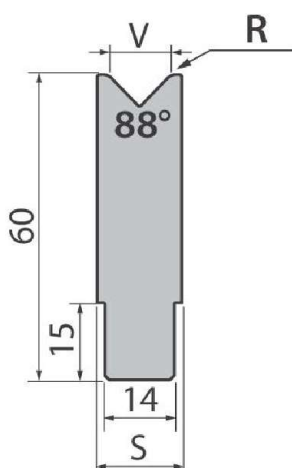
H=60 mm



Model	V (mm)	R (mm)	S (mm)	950 kN/m max.	
				Weight	Weight
SR.AD60.90.06	6	1.5	14	5.6 kg	2.8 kg
SR.AD60.90.08	8	1.5	14	5.6 kg	2.8 kg
SR.AD60.90.10	10	2.0	15	6.0 kg	3.0 kg
SR.AD60.90.12	12	2.5	15	6.0 kg	3.0 kg

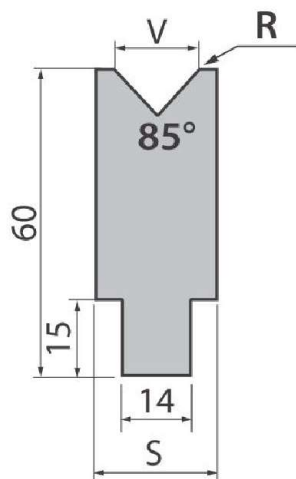
Самоцентрирующиеся одноручьевые матрицы 88°

H=60 mm



Model	V (mm)	R (mm)	S (mm)	1000 kN/m max.	
				Weight	Weight
SR.AD60.88.04	4	0.6	14	5.3 kg	2.6 kg
SR.AD60.88.06	6	0.8	14	5.3 kg	2.6 kg
SR.AD60.88.08	8	1.0	14	5.3 kg	2.6 kg
SR.AD60.88.10	10	1.2	18	5.7 kg	2.8 kg
SR.AD60.88.12	12	1.5	18	6.1 kg	3.0 kg
SR.AD60.88.16	16	2.0	24	7.0 kg	3.5 kg
SR.AD60.88.20	20	2.0	30	7.9 kg	4.0 kg
SR.AD60.88.25	25	3.0	35	9.1 kg	4.6 kg

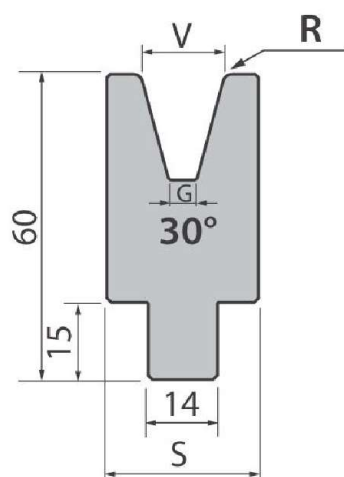
H=60 mm



Model	V (mm)	R (mm)	S (mm)	1000 kN/m max.	
				Weight	Weight
SR.AD60.85.04	4	0.6	14	5.4 kg	2.7 kg
SR.AD60.85.0	6	0.8	14	5.4 kg	2.7 kg
SR.6AD60.85.08	8	1.0	14	5.4 kg	2.7 kg
SR.AD60.85.10	10	1.2	18	5.6 kg	2.8 kg
SR.AD60.85.12	12	1.5	18	6.2 kg	3.1 kg
SR.AD60.85.16	16	2.0	24	7.2 kg	3.6 kg
SR.AD60.85.20	20	2.0	30	8.0 kg	4.0 kg
SR.AD60.85.25	25	3.0	35	9.0 kg	4.5 kg

Самоцентрирующиеся одноручьевые матрицы 30°

H=60 mm/65 mm



Model	V (mm)	R (mm)	G (mm)	S (mm)	500 kN/m max.	
					Weight	Weight
SR.AD60.30.06	6	0.6	-	14	6.0 kg	3.0 kg
SR.AD60.30.08	8	0.8	2	18	6.6 kg	3.3 kg
SR.AD60.30.10	10	1.0	2	24	7.8 kg	3.9 kg
SR.AD60.30.12	12	1.5	2	24	7.8 kg	3.9 kg
SR.AD60.30.16	16	2.0	5	30	8.8 kg	4.7 kg
SR.AD60.30.20	20	2.5	5	35	16.0 kg	8.0 kg
SR.AD60.30.25	25	3.0	8	45	13.0 kg	6.4 kg