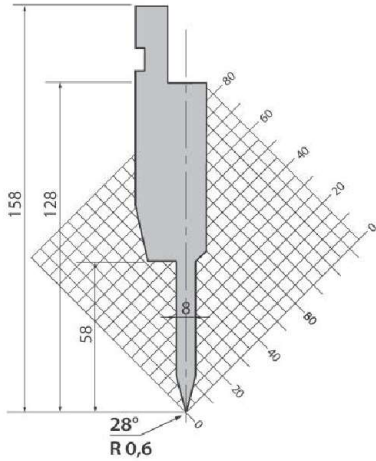


SR.AHT 2808

800/1000 kN/m max.

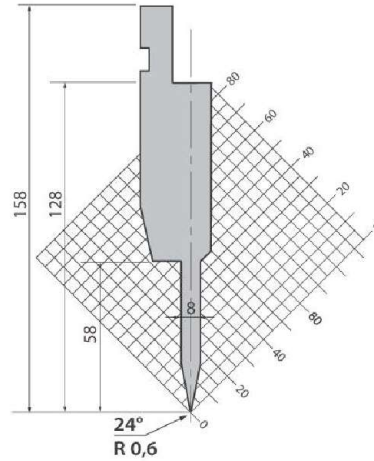
525 mm	11.0 kg
525 mm sections	11.0 kg



SR.AHT 2408

800/1000 kN/m max.

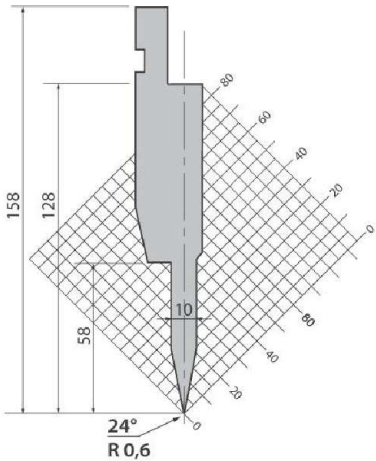
525 mm	11.0 kg
525 mm sections	11.0 kg



SR.AHT 2410

800/1000 kN/m max.

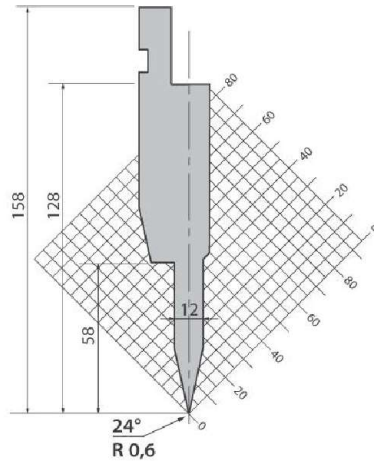
525 mm	11.0 kg
525 mm sections	11.0 kg



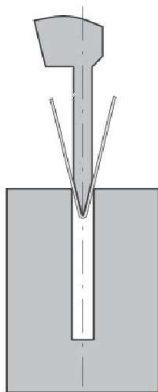
SR.AHT 2412

800/1000 kN/m max.

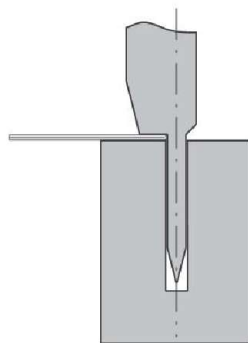
525 mm	11.4 kg
525 mm sections	11.4 kg



Пример применения



800 kN/m max.



1000 kN/m max.



S (mm)	A (mm)	R.45 Kgf/mm ² t/m	R.70 Kgf/mm ² t/m
0.6	3.0	9	15
0.8	3.0	12	20
1.0	3.5	15	25
1.25	3.5	17	26

S (mm)	A (mm)	R.45 Kgf/mm ² t/m	R.70 Kgf/mm ² t/m
0.6	1.2	23	35
0.8	1.6	32	50
1.0	1.0	40	60
1.25	2.5	50	80