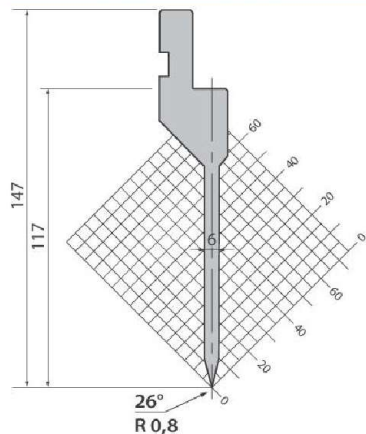


SR.AP 147.26.R08

500 kN/m max.

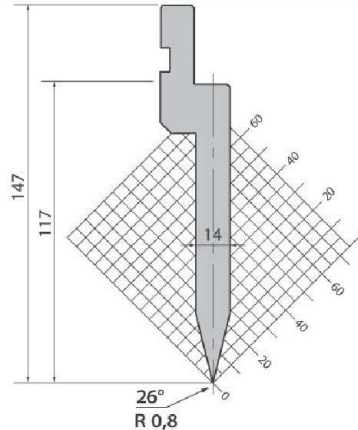
835 mm	10.0 kg
835 mm sections	10.0 kg
415 mm	5.0 kg



SR.AP 117.26.R08

1000 kN/m max.

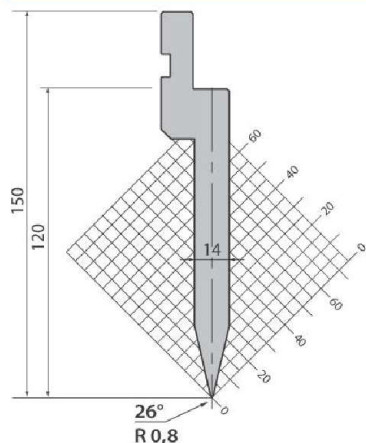
835 mm	13.6 kg
835 mm sections	13.6 kg
415 mm	6.5 kg



SR.AP 150.26.R08

1000 kN/m max.

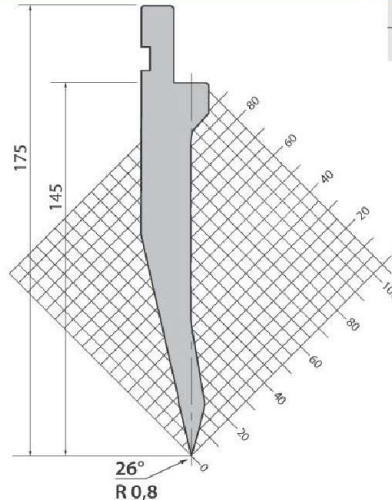
835 mm	15.0 kg
835 mm sections	15.0 kg
415 mm	6.4 kg



SR.AP 175.26.R08

950 kN/m max.

525 mm	11.0 kg
525 mm sections	11.0 kg



SR.AP 205.26.R08

950 kN/m max.

525 mm	14.0 kg
525 mm sections	14.0 kg

