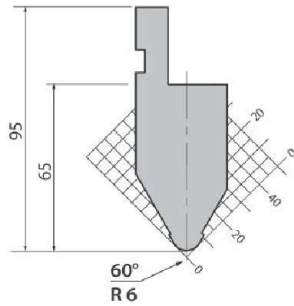
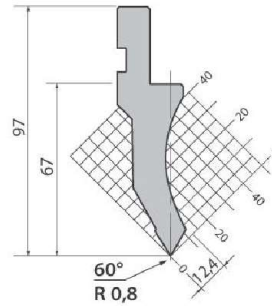


SR.AP 95.60.R6



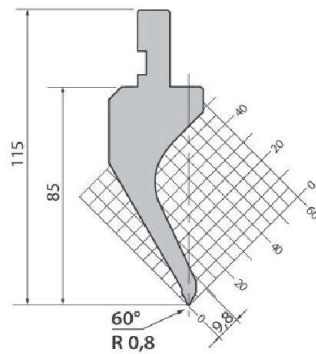
| 1000 kN/m max. | |
|-----------------|---------|
| 835 mm | 15.0 kg |
| 835 mm sections | 15.0 kg |
| 415 mm | 7.6 kg |

SR.AP 97.60.R08



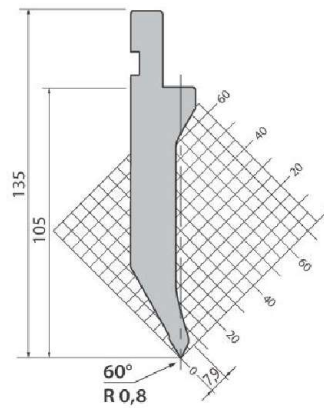
| 600 kN/m max. | |
|-----------------|--------|
| 835 mm | 9.0 kg |
| 835 mm sections | 9.0 kg |
| 415 mm | 4.6 kg |

SR.AP 115.60.R08



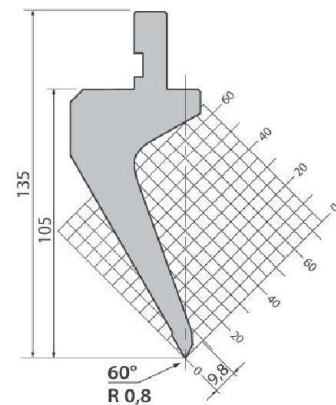
| 400 kN/m max. | |
|-----------------|---------|
| 835 mm | 12.0 kg |
| 835 mm sections | 12.0 kg |
| 415 mm | 6.0 kg |

SR.AP 135.60.R08



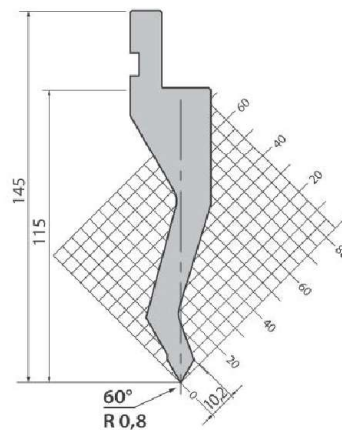
| 800 kN/m max. | |
|-----------------|---------|
| 835 mm | 13.8 kg |
| 835 mm sections | 13.8 kg |
| 415 mm | 7.0 kg |

SR.AP 135.60.R08T



| 700 kN/m max. | |
|-----------------|---------|
| 835 mm | 16.4 kg |
| 835 mm sections | 16.4 kg |
| 415 mm | 8.6 kg |

SR.AP 145.60.R08

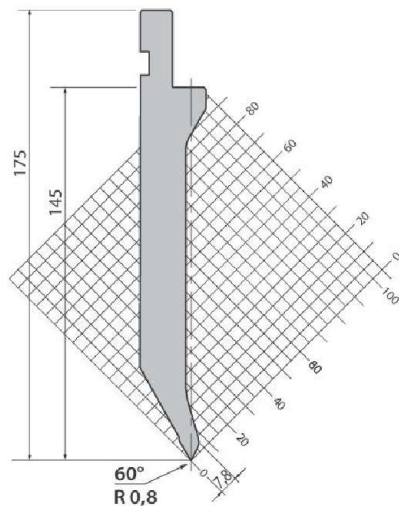


| 700 kN/m max. | |
|-----------------|---------|
| 835 mm | 15.0 kg |
| 835 mm sections | 15.0 kg |
| 415 mm | 7.6 kg |

SR.AP 175.60.R08

800 kN/m max.

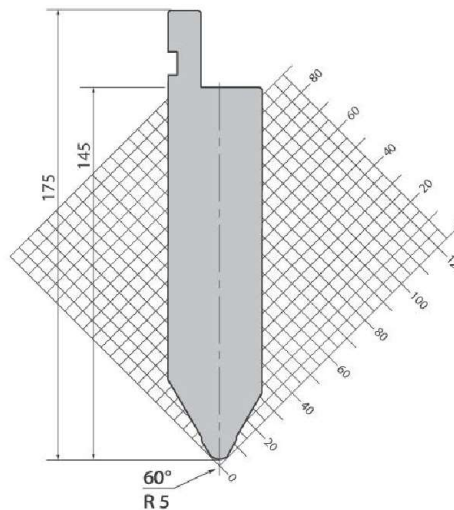
| | |
|-----------------|---------|
| 525 mm | 12.0 kg |
| 525 mm sections | 12.0 kg |



SR.AP 175.60.R5

1600 kN/m max.

| | |
|-----------------|---------|
| 525 mm | 22.0 kg |
| 525 mm sections | 22.0 kg |



SR.AP 190.60.R08

400 kN/m max.

| | |
|-----------------|---------|
| 835 mm | 42.0 kg |
| 835 mm sections | 42.0 kg |
| 415 mm | 27.5 kg |

