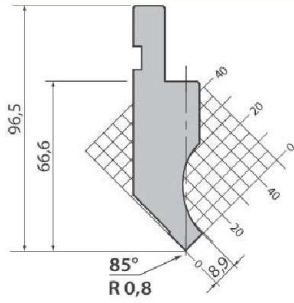


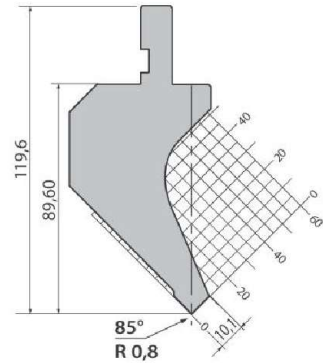
SR.AP 97.85.R08



1000 kN/m max.

835 mm	11.0 kg
835 mm sections	11.0 kg
415 mm	5.6 kg

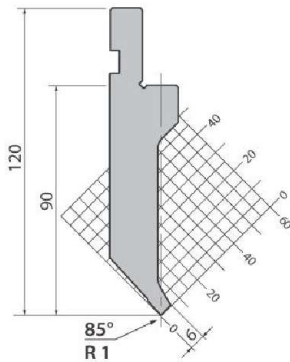
SR.AP 120.85.R08



600 kN/m max.

835 mm	20.8 kg
835 mm sections	20.8 kg
415 mm	10.6 kg

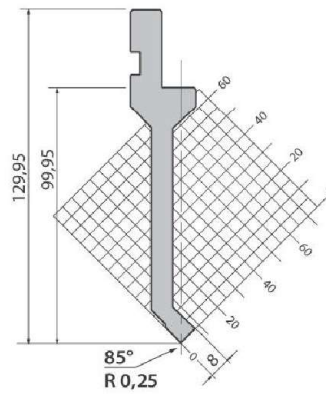
SR.AP 120.85.R1



800 kN/m max.

835 mm	13.6 kg
835 mm sections	13.6 kg
415 mm	6.8 kg

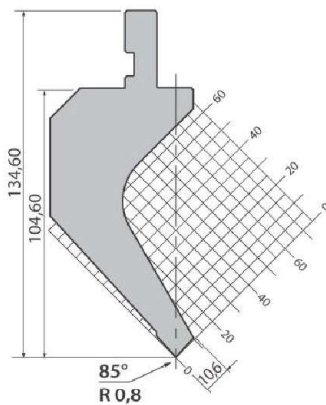
SR.AP 130.85.R025



350 kN/m max.

835 mm	11.4 kg
835 mm sections	11.4 kg
415 mm	5.6 kg

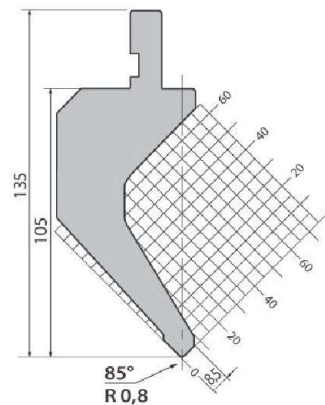
SR.AP 135.85.R08



500 kN/m max.

835 mm	22.0 kg
835 mm sections	22.0 kg
415 mm	11.2 kg

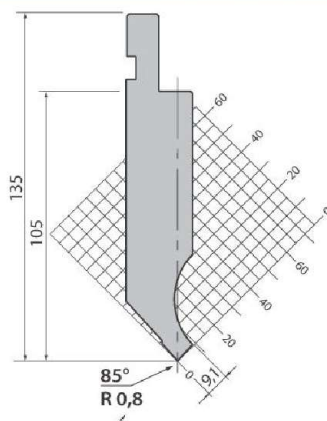
SR.AP 135.85.R08S



800 kN/m max.

835 mm	21.0 kg
835 mm sections	21.0 kg
415 mm	10.4 kg

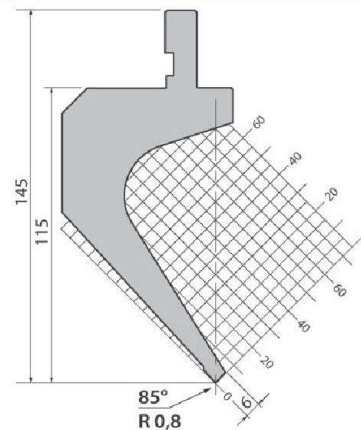
SR.AP 135.85.R08T



1000 kN/m max.

835 mm	17.6 kg
835 mm sections	17.6 kg
415 mm	8.6 kg

SR.AP 145.85.R08



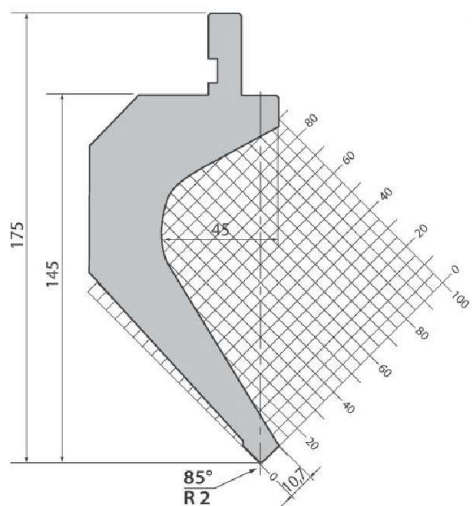
600 kN/m max.

835 mm	22.8 kg
835 mm sections	22.8 kg
415 mm	11.2 kg

SR.AP 175.85.R2

900 kN/m max.

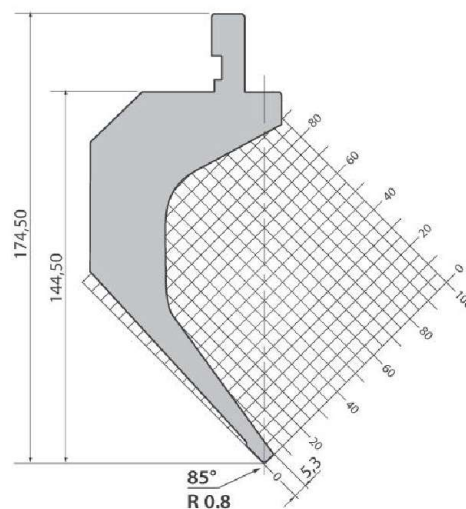
525 mm	21.0 kg
525 mm sections	21.0 kg



SR.AP 175.85.R08

200 kN/m max.

525 mm	18.6 kg
525 mm sections	18.6 kg



SR.AP 205.85.R08

700 kN/m max.

525 mm	24.2 kg
525 mm sections	24.2 kg

