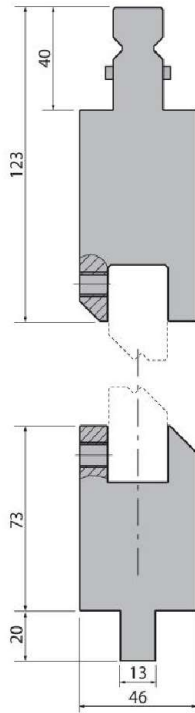


ZPT

1000 kN/m max.

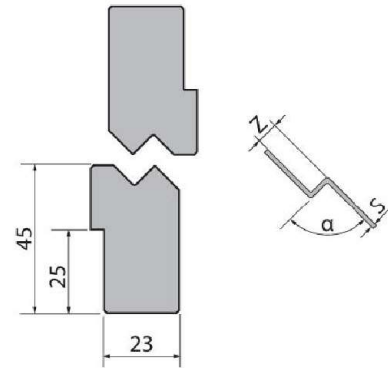
835 mm	46.0 kg
415 mm	23.0 kg



Z-вставки 90°

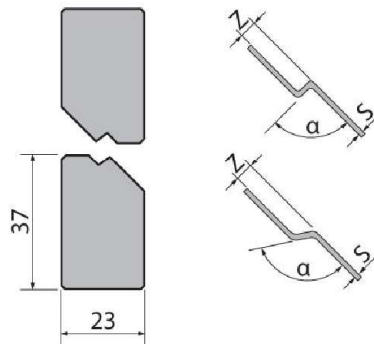
1000 kN/m max.

Model	Z (mm)	α	S* (mm)	Weight	Weight
SR.WZ 9.0	9	90°	1.8	13.5 kg	6.5 kg
SR.WZ 10.0	10	90°	1.8	13.5 kg	6.5 kg
SR.WZ 11.0	11	90°	2	13.5 kg	6.5 kg
SR.WZ 12.0	12	90°	2	13.5 kg	6.5 kg
SR.WZ 13.0	13	90°	2	13.5 kg	6.5 kg
SR.WZ 14.0	14	90°	2	13.5 kg	6.5 kg
SR.WZ 15.0	15	90°	2.3	13.5 kg	6.5 kg



Z-вставки 160° / 150° / 140° / 90°

1000 kN/m max.



Model	Z (mm)	α	S* (mm)	Weight	Weight
SR.WZ 1.0	1.0	160°	1.2	11.0 kg	5.5 kg
SR.WZ 1.5	1.5	160°	1.5	11.0 kg	5.5 kg
SR.WZ 2.0	2.0	150°	1.4	11.0 kg	5.5 kg
SR.WZ 2.5	2.5	140°	1.3	11.0 kg	5.5 kg
SR.WZ 1.0/90	1.0	90°	0.3	11.0 kg	5.5 kg
SR.WZ 1.5/90	1.5	90°	0.3	11.0 kg	5.5 kg
SR.WZ 2.0/90	2.0	90°	0.4	11.0 kg	5.5 kg
SR.WZ 2.5/90	2.5	90°	0.5	11.0 kg	5.5 kg
SR.WZ 3.0	3.0	90°	1.0	10.2 kg	5.1 kg
SR.WZ 3.5	3.5	90°	1.0	10.0 kg	5.0 kg
SR.WZ 4.0	4.0	90°	1.2	10.0 kg	5.0 kg
SR.WZ 4.5	4.5	90°	1.2	10.0 kg	5.0 kg
SR.WZ 5.0	5.0	90°	1.3	10.0 kg	5.0 kg
SR.WZ 5.5	5.5	90°	1.4	10.0 kg	5.0 kg
SR.WZ 6.0	6.0	90°	1.5	10.0 kg	5.0 kg
SR.WZ 6.5	6.5	90°	1.5	10.0 kg	5.0 kg
SR.WZ 7.0	7.0	90°	1.5	10.0 kg	5.0 kg
SR.WZ 7.5	7.5	90°	1.6	10.0 kg	5.0 kg
SR.WZ 8.0	8.0	90°	1.6	10.0 kg	5.0 kg